



**LAKE HAVASU CITY, ARIZONA**  
**ADDENDUM NO. 1**

Construction of Vadose Zone Well 8 and Facilities  
Project 107015

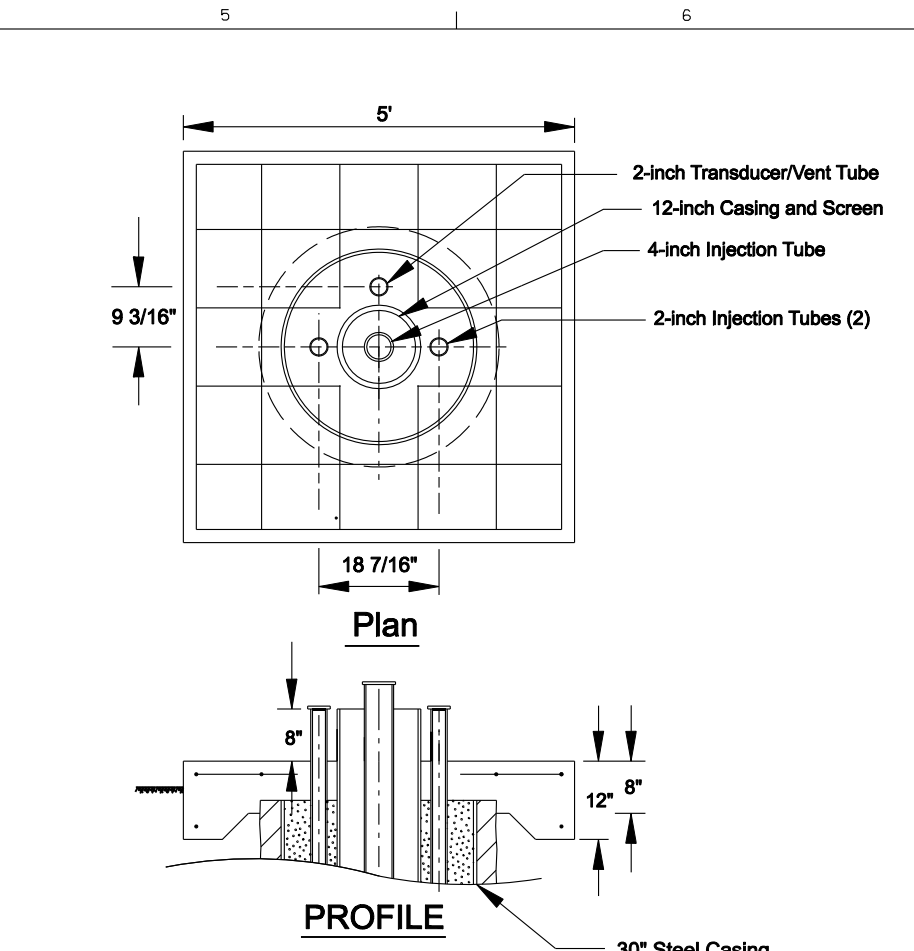
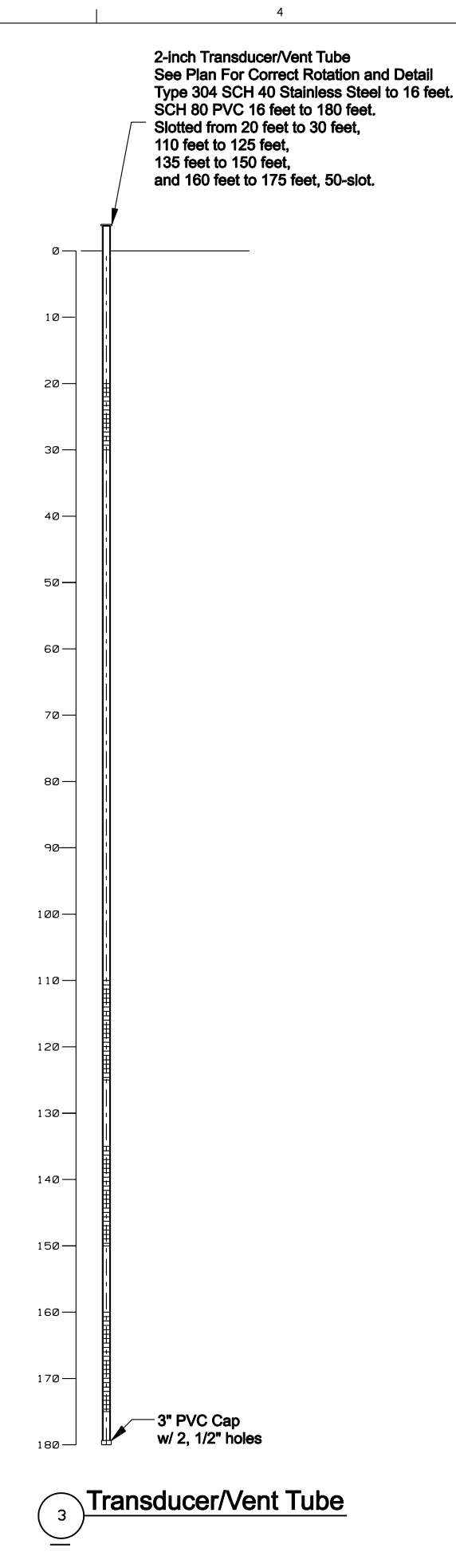
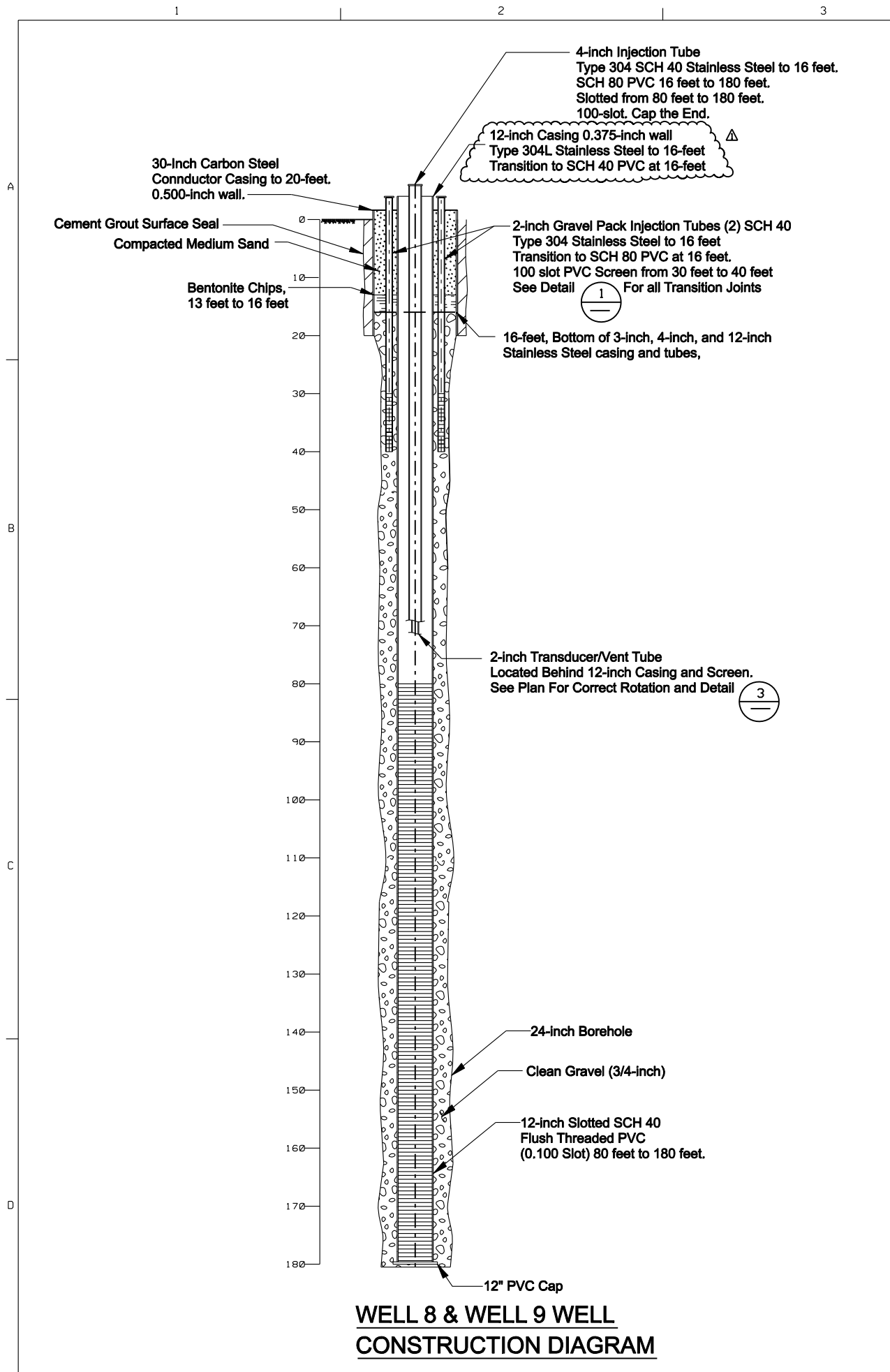
**DATED: NOVEMBER 30, 2023**

This Addendum No. 1 forms a part of the contract described above.

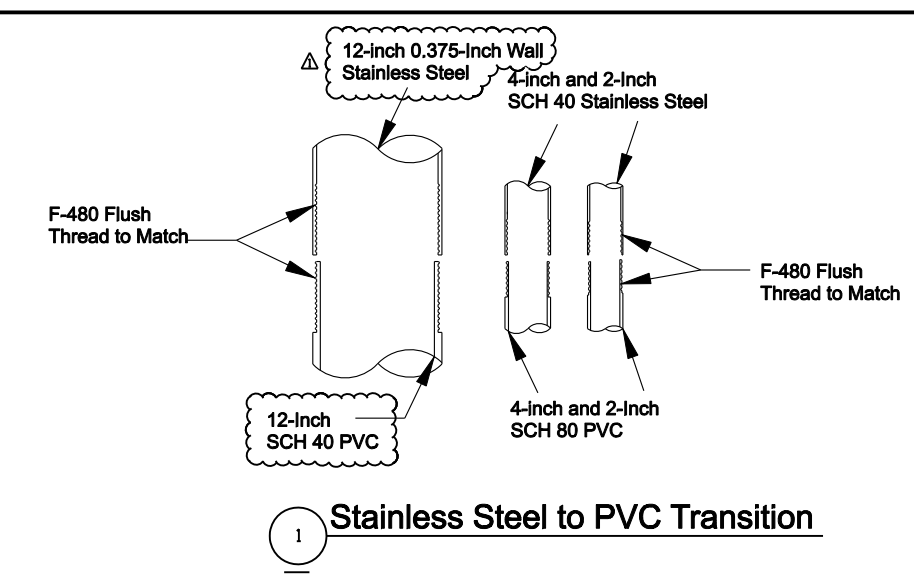
The following question was received from bidders. The answer is provided herein by the OWNER:

1. **Question:** *“Please clarify the Well Piping Highlighted in the attached Files. PVC Sch 80 or Sch 40 in the Down Piping? Sch 40 SS 304 12” or .0375 in the Casing?”*

**Answer:** See attached drawing C-4, Revision 1. This drawing was revised from the one in the original bid documents to clarify downhole pipe wall thicknesses.



- NOTES**
1. Install Only On Alternate Vadose Well #9 if Constructed.
  2. All Reinforcing Bars No. 5
  3. Min Inbedment 2"
  4. Do Not Weld Reinforcement to Pipe
  5. Extend 30" Pipe 2" into Pad.
  6. Compact Earth/Fill Beneath Concrete Inside and Outside of 30" Pipe
  7. See Detail (3) for Concrete Pad Details
- 2 Transitional Concrete Pad**



| NO. | DATE     | REVISION                                 | CHK        | DR      | BY      |
|-----|----------|--|------------|---------|---------|
| 1   | 11/30/23 | Clouded Changes Issued For Addendum No.1 | R. EDWARDS | K. BRAL | APVD    |
|     |          |  |            |         | K. BRAL |

**TRICO ENGINEERING, LLC**  
 231 SW 6th Avenue  
 Lake Havasu City, AZ 86403  
 www.tricoengineering.com

**CONSTRUCTION OF VADOSE ZONE WELL 8 & FACILITIES**  
 107015  
 LAKE HAVASU CITY, AZ 86403  
 LAKE HAVASU CITY, AZ 86403  
 (928) 855-2116

**ENGINEERS INC**  
 1000 N. W. 10th St.  
 Lake Havasu City, AZ 86403  
 www.jacobson.com

**Jacobs**  
 CIVIL  
 WELL 8 AND 9 CONSTRUCTION

VERIFY SCALE  
 BAR IS ONE INCH ON ORIGINAL DRAWING.  
 0 1'

DATE OCTOBER 2023  
 PROJ 107015  
 DWG C-4  
 SHEET 9 of 16

REUSE OF DOCUMENTS: THIS DOCUMENT AND THE IDEAS AND DESIGNS INCORPORATED HEREIN, AS AN INSTRUMENT OF PROFESSIONAL SERVICE, IS THE PROPERTY OF JACOBS. 2022. ALL RIGHTS RESERVED. JACOBS AND IS NOT TO BE USED, IN WHOLE OR IN PART, FOR ANY OTHER PROJECT WITHOUT THE WRITTEN AUTHORIZATION OF JACOBS.