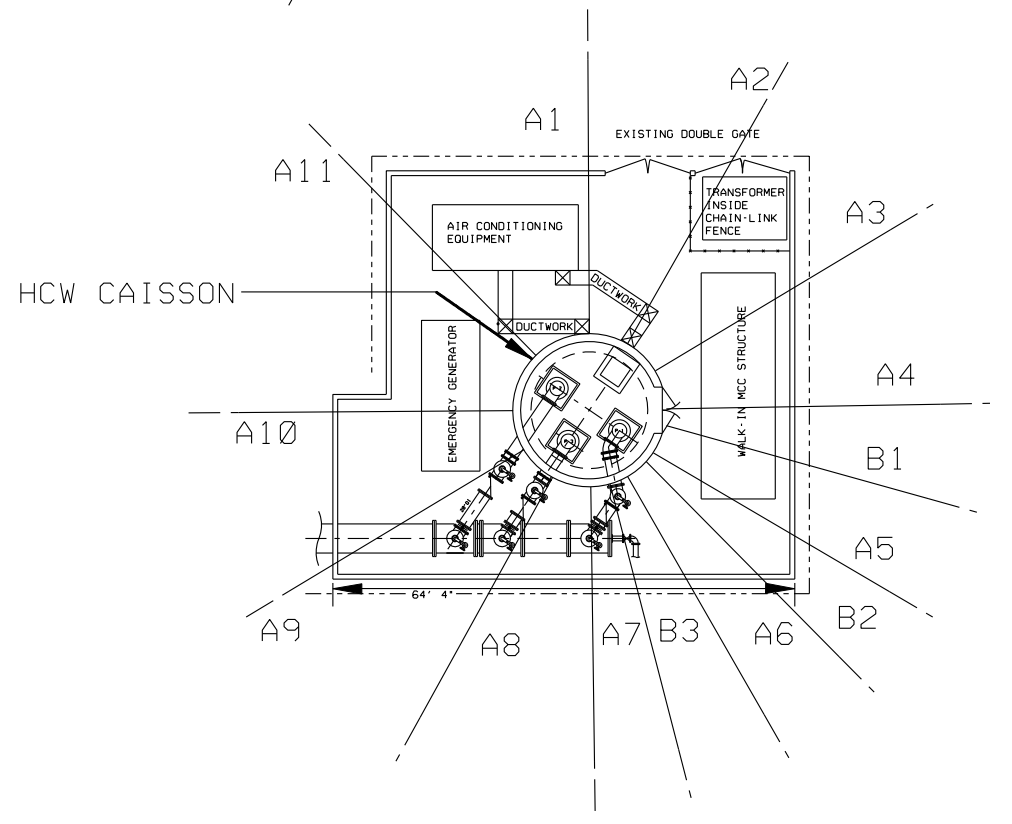
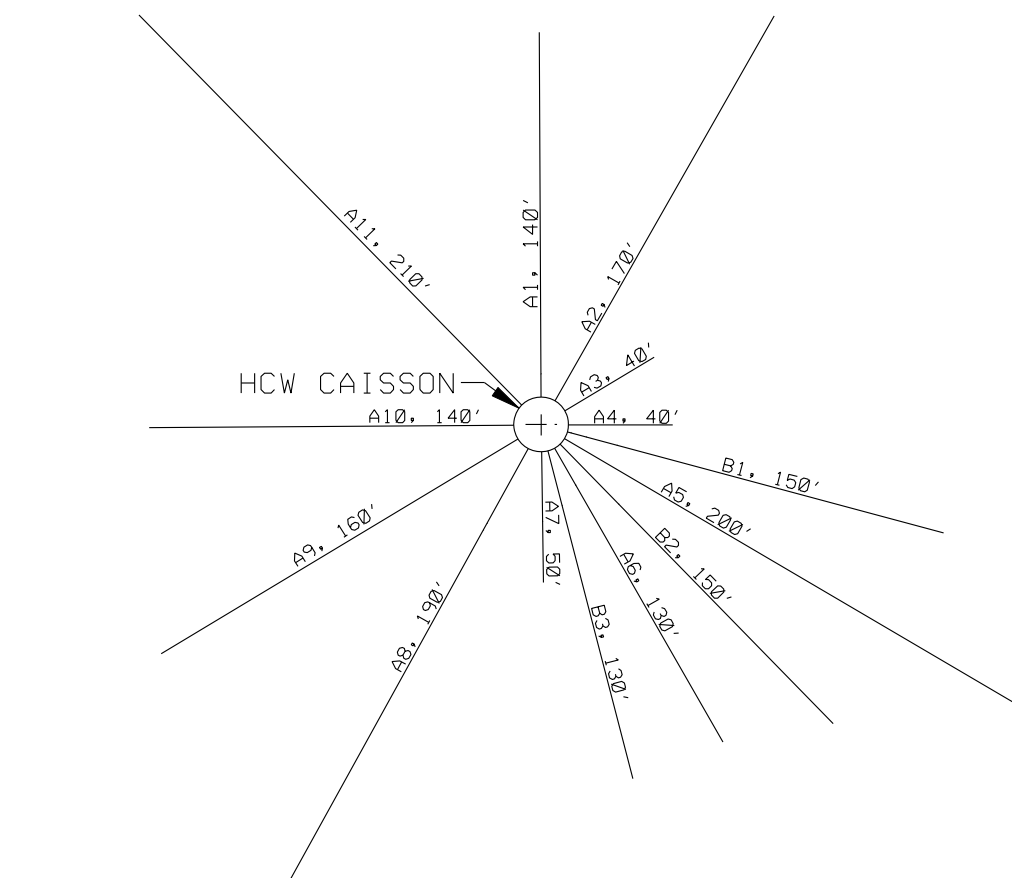


EXISTING HCW CAISSON
PROFILE



EXISTING HCW LATERALS LOCATIONS
PLAN



APVD	
CHK	
DR	
DSGN	

EXISTING HCW PLAN AND PROFILE

Horizontal Collector Well
Redevelopment Project
Lake Havasu City
900 London Bridge Road
Lake Havasu, AZ 86404

JACOBS

8183 SOUTH JAMAICA STREET
ENGLEWOOD, CO 80112
CONTACT: KEVIN BRAL, P.E.

DATE December, 2023
PROJ 108030
DWG M-1
SHEET 2