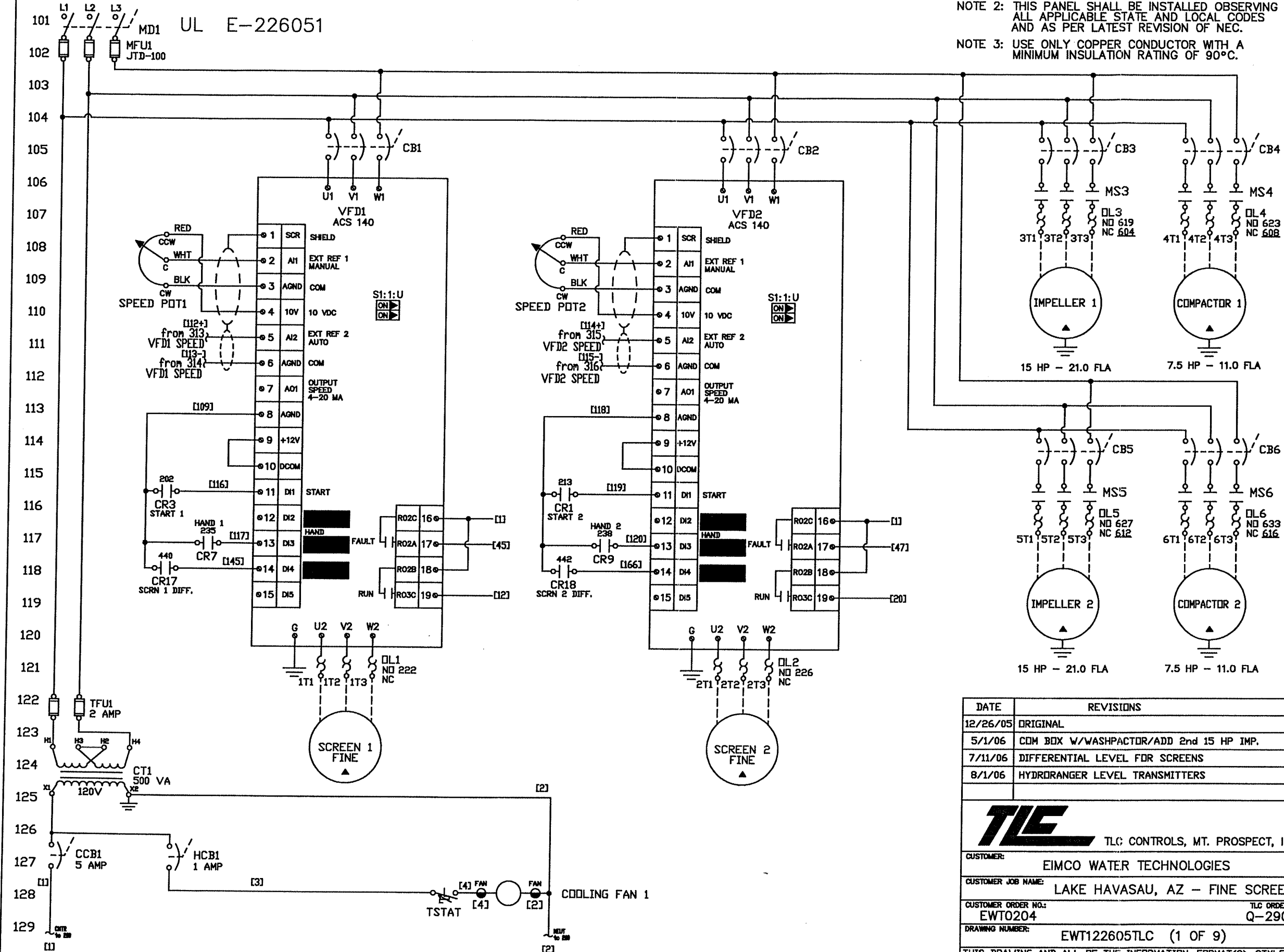


460 VOLTS 3 PH 60 HZ 1 HP 2.0 FLA EACH SCREEN
 SHORT CIRCUIT CURRENT 100 kA RMS SYMMETRICAL, 460V MAXIMUM

- NOTE 1: BRANCH SHORT CIRCUIT PROTECTION MUST BE INSTALLED BETWEEN POWER SUPPLY AND THIS PANEL
- NOTE 2: THIS PANEL SHALL BE INSTALLED OBSERVING ALL APPLICABLE STATE AND LOCAL CODES AND AS PER LATEST REVISION OF NEC.
- NOTE 3: USE ONLY COPPER CONDUCTOR WITH A MINIMUM INSULATION RATING OF 90°C.



DATE	REVISIONS	
12/26/05	ORIGINAL	PH
5/1/06	COM BDX W/WASHACTOR/ADD 2nd 15 HP IMP.	PH
7/11/06	DIFFERENTIAL LEVEL FOR SCREENS	PH
8/1/06	HYDRORANGER LEVEL TRANSMITTERS	PH

TLC TLC CONTROLS, MT. PROSPECT, IL

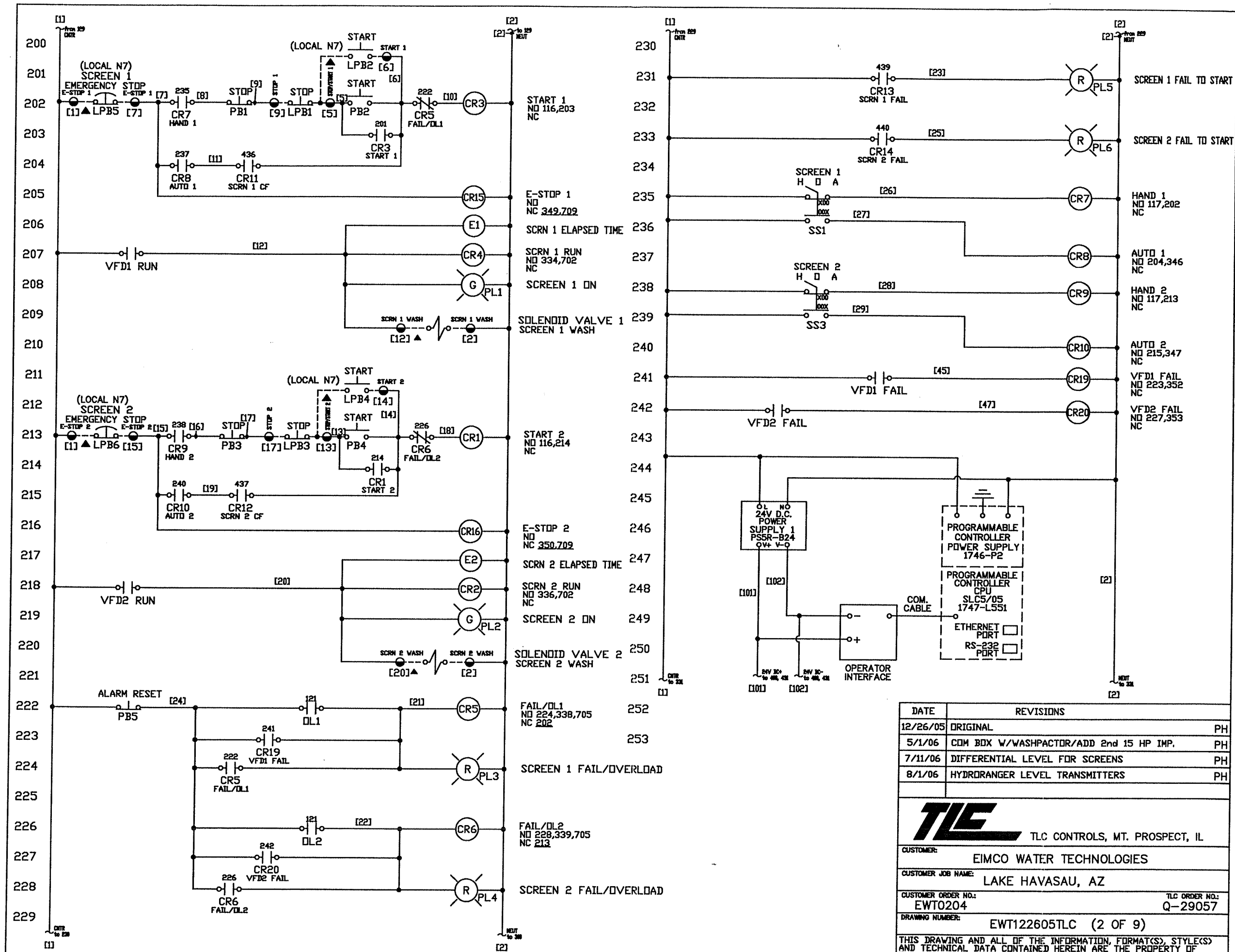
CUSTOMER: EIMCO WATER TECHNOLOGIES

CUSTOMER JOB NAME: LAKE HAVASAU, AZ - FINE SCREEN

CUSTOMER ORDER NO.: EWT0204 TLC ORDER NO.: Q-29057A

DRAWING NUMBER: EWT122605TLC (1 OF 9)

THIS DRAWING AND ALL OF THE INFORMATION, FORMAT(S), STYLE(S) AND TECHNICAL DATA CONTAINED HEREIN ARE THE PROPERTY OF TLC CONTROLS, INC. AND MAY NOT BE REPRODUCED BY ANY MEANS WITHOUT PERMISSION FROM, NOR USED IN ANY WAY CONTRARY OR DETRIMENTAL TO THE BEST INTEREST OF TLC CONTROLS, INC.



DATE	REVISIONS	
12/26/05	ORIGINAL	PH
5/1/06	COM BDX W/WASHPACTOR/ADD 2nd 15 HP IMP.	PH
7/11/06	DIFFERENTIAL LEVEL FOR SCREENS	PH
8/1/06	HYDRORANGER LEVEL TRANSMITTERS	PH

TLC TLC CONTROLS, MT. PROSPECT, IL

CUSTOMER: EIMCO WATER TECHNOLOGIES

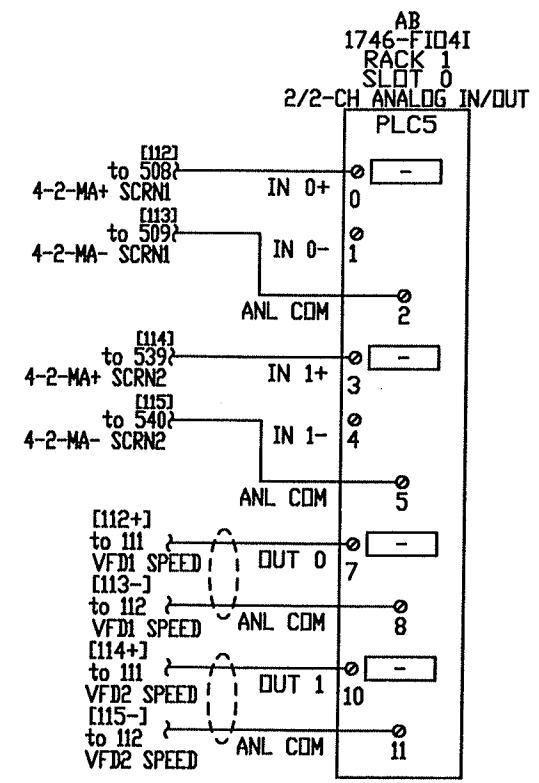
CUSTOMER JOB NAME: LAKE HAVASAU, AZ

CUSTOMER ORDER NO.: EWT0204 TLC ORDER NO.: Q-29057

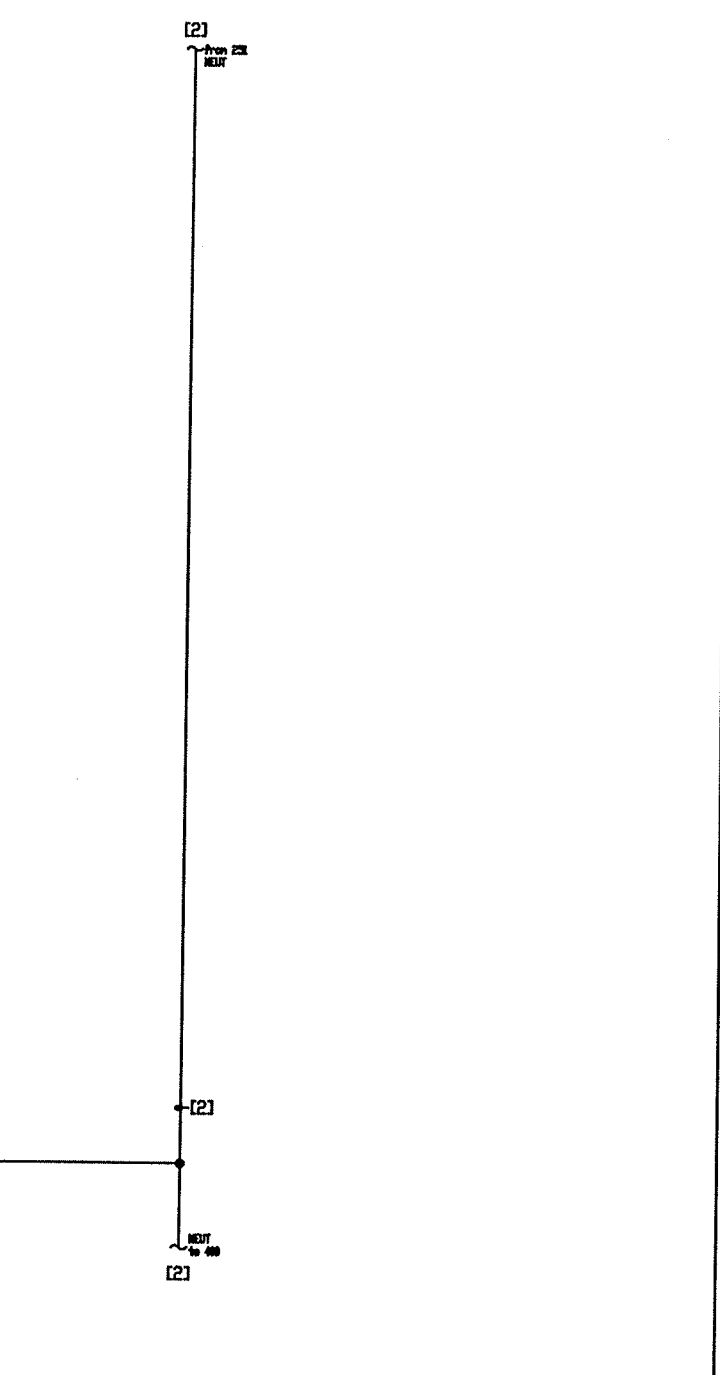
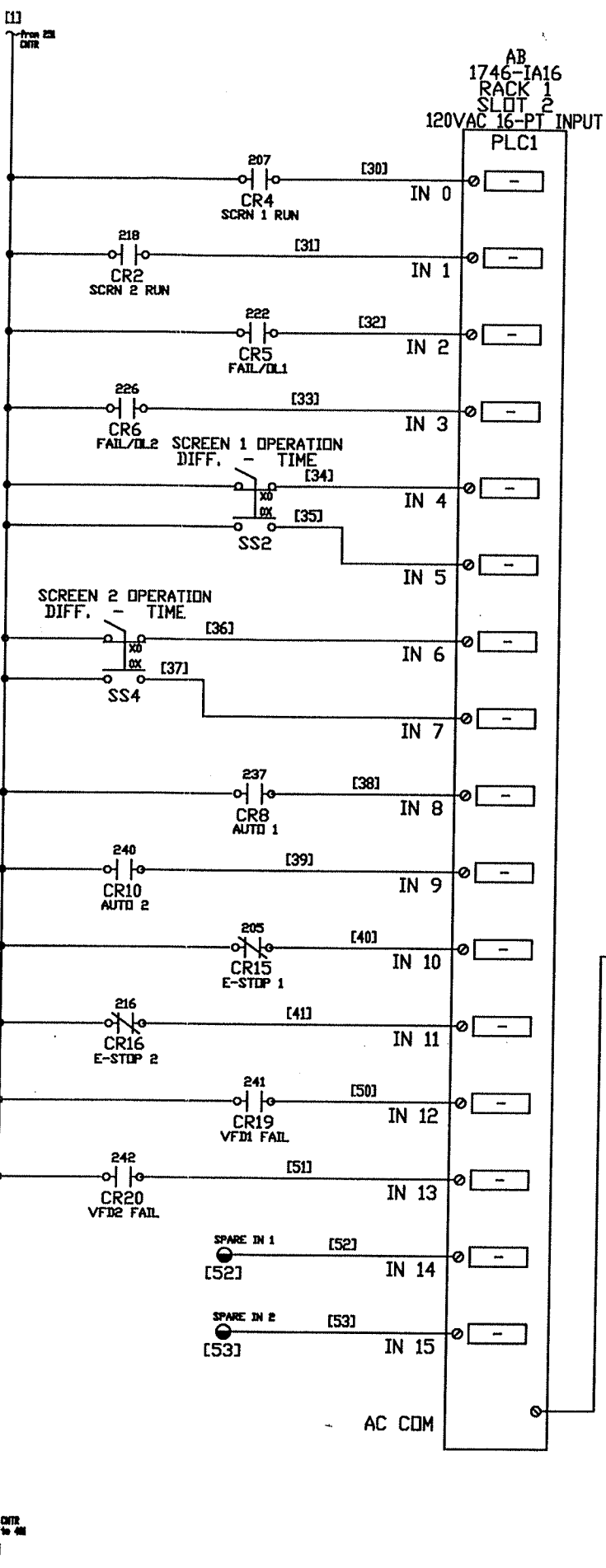
DRAWING NUMBER: EWT122605TLC (2 OF 9)

THIS DRAWING AND ALL OF THE INFORMATION, FORMAT(S), STYLE(S) AND TECHNICAL DATA CONTAINED HEREIN ARE THE PROPERTY OF TLC CONTROLS, INC. AND MAY NOT BE REPRODUCED BY ANY MEANS WITHOUT PERMISSION FROM, NOR USED IN ANY WAY CONTRARY OR DETRIMENTAL TO THE BEST INTEREST OF TLC CONTROLS, INC.

300
301
302
303
304
305
306
307
308
309
310
311
312
313
314
315
316
317
318
319
320
321
322
323
324
325
326
327
328
329
330



331
332
333
334
335
336
337
338
339
340
341
342
343
344
345
346
347
348
349
350
351
352
353
354
355
356
357
358
359
360
361



DATE	REVISIONS	
12/26/05	ORIGINAL	PH
5/1/06	COM BDX W/WASHFACTOR/ADD 2nd 15 HP IMP.	PH
7/11/06	DIFFERENTIAL LEVEL FOR SCREENS	PH
8/1/06	HYDRORANGER LEVEL TRANSMITTERS	PH

TLC TLC CONTROLS, MT. PROSPECT, IL

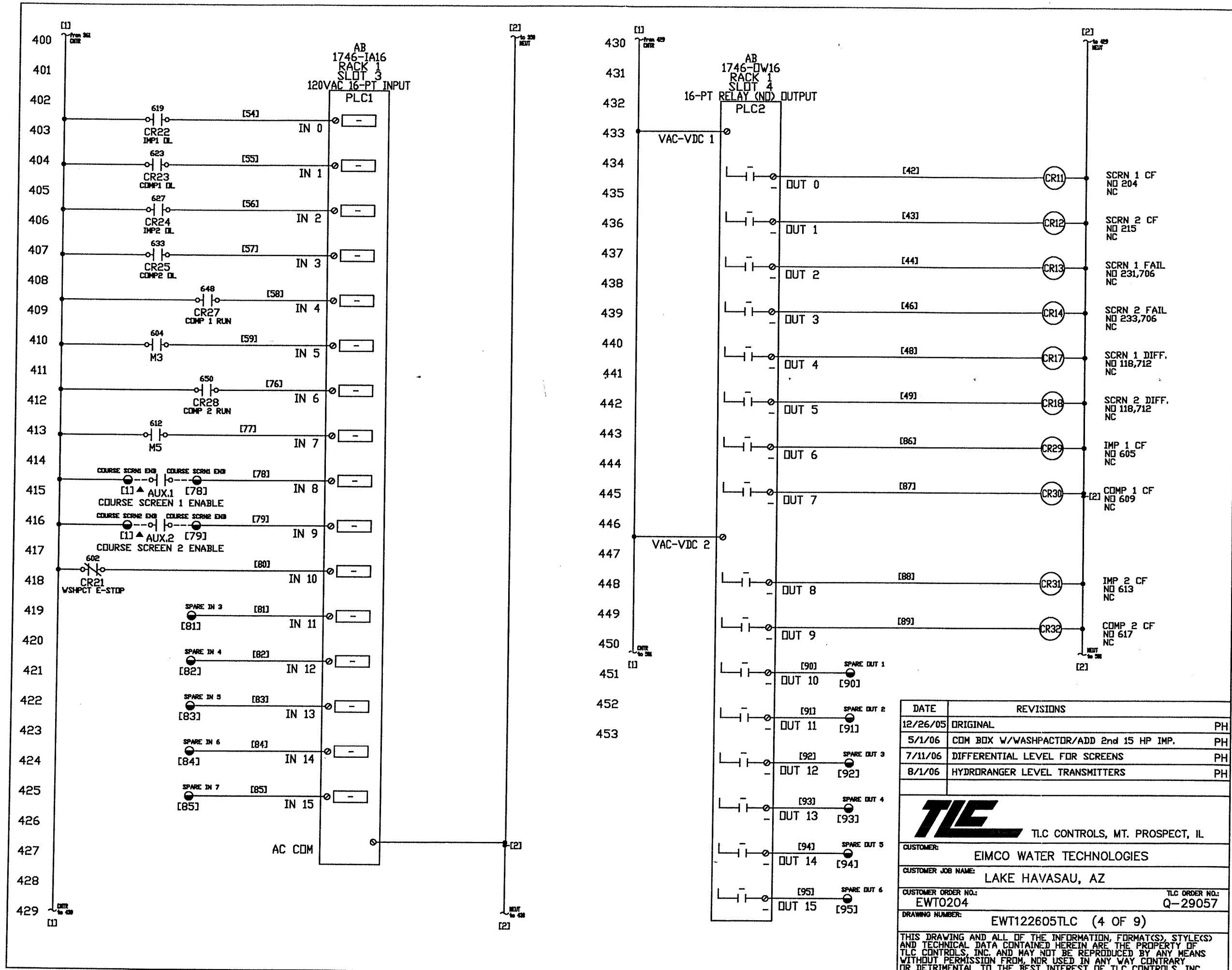
CUSTOMER: EIMCO WATER TECHNOLOGIES

CUSTOMER JOB NAME: LAKE HAVASAU, AZ

CUSTOMER ORDER NO.: EWT0204
TLC ORDER NO.: Q-29057

DRAWING NUMBER: EWT122605TLC (3 OF 9)

THIS DRAWING AND ALL OF THE INFORMATION, FORMAT(S), STYLE(S) AND TECHNICAL DATA CONTAINED HEREIN ARE THE PROPERTY OF TLC CONTROLS, INC. AND MAY NOT BE REPRODUCED BY ANY MEANS WITHOUT PERMISSION FROM, NOR USED IN ANY WAY CONTRARY OR DETRIMENTAL TO THE BEST INTEREST OF TLC CONTROLS, INC.



DATE	REVISIONS	
12/26/05	ORIGINAL	PH
5/1/06	COM BOX W/WASHACTOR/ADD 2nd 15 HP IMP.	PH
7/11/06	DIFFERENTIAL LEVEL FOR SCREENS	PH
8/1/06	HYDRORANGER LEVEL TRANSMITTERS	PH

TLC TLC CONTROLS, MT. PROSPECT, IL

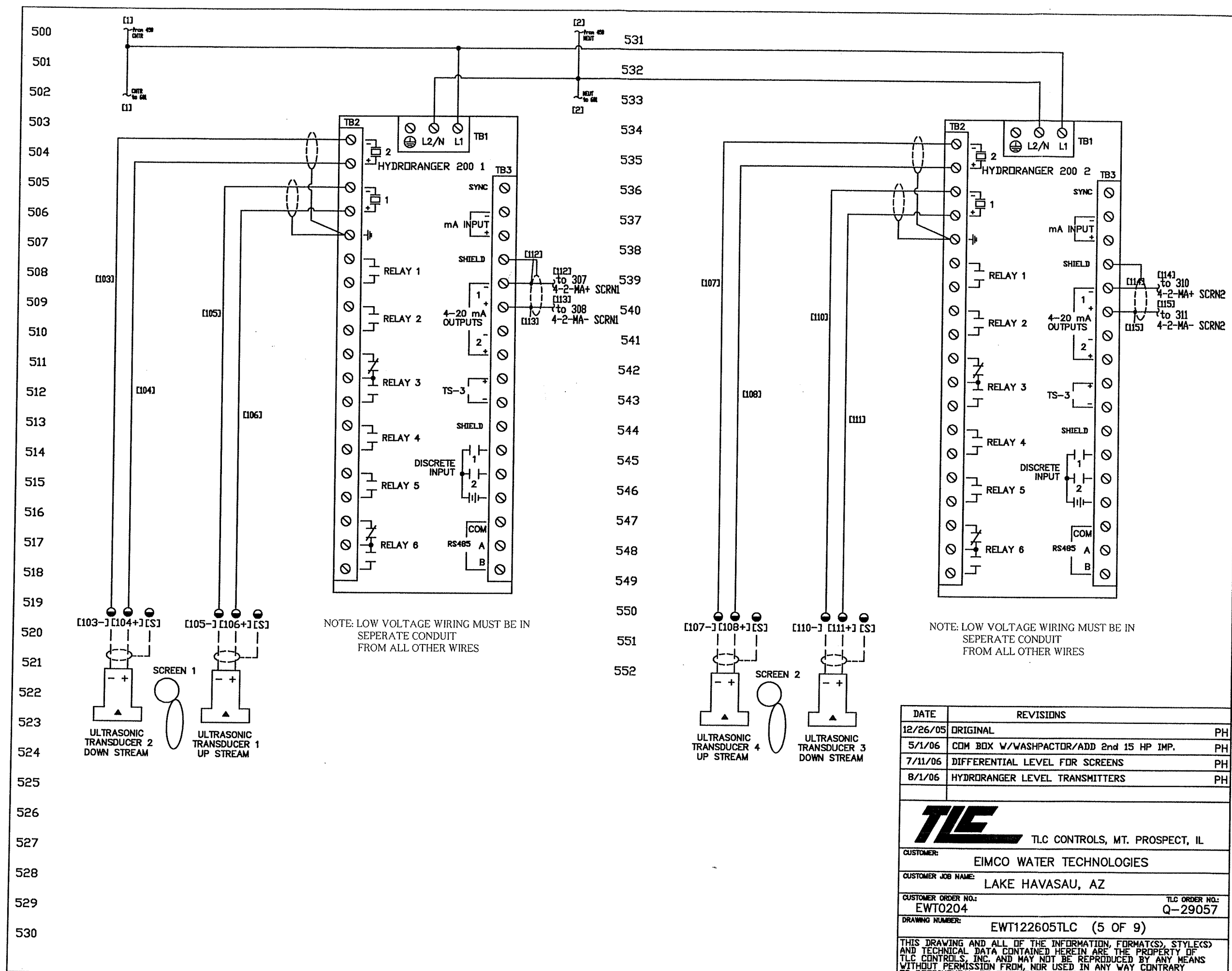
CUSTOMER: EIMCO WATER TECHNOLOGIES

CUSTOMER JOB NAME: LAKE HAVASAU, AZ

CUSTOMER ORDER NO.: EWT0204 TLC ORDER NO.: Q-29057

DRAWING NUMBER: EWT122605TLC (4 OF 9)

THIS DRAWING AND ALL OF THE INFORMATION, FORMAT(S), STYLE(S) AND TECHNICAL DATA CONTAINED HEREIN ARE THE PROPERTY OF TLC CONTROLS, INC. AND MAY NOT BE REPRODUCED BY ANY MEANS WITHOUT PERMISSION FROM, NOR USED IN ANY WAY CONTRARY OR DETRIMENTAL TO THE BEST INTEREST OF TLC CONTROLS, INC.



DATE	REVISIONS	
12/26/05	ORIGINAL	PH
5/1/06	COM BOX W/WASHPACTOR/ADD 2nd 15 HP IMP.	PH
7/11/06	DIFFERENTIAL LEVEL FOR SCREENS	PH
8/1/06	HYDRORANGER LEVEL TRANSMITTERS	PH

TLC TLC CONTROLS, MT. PROSPECT, IL

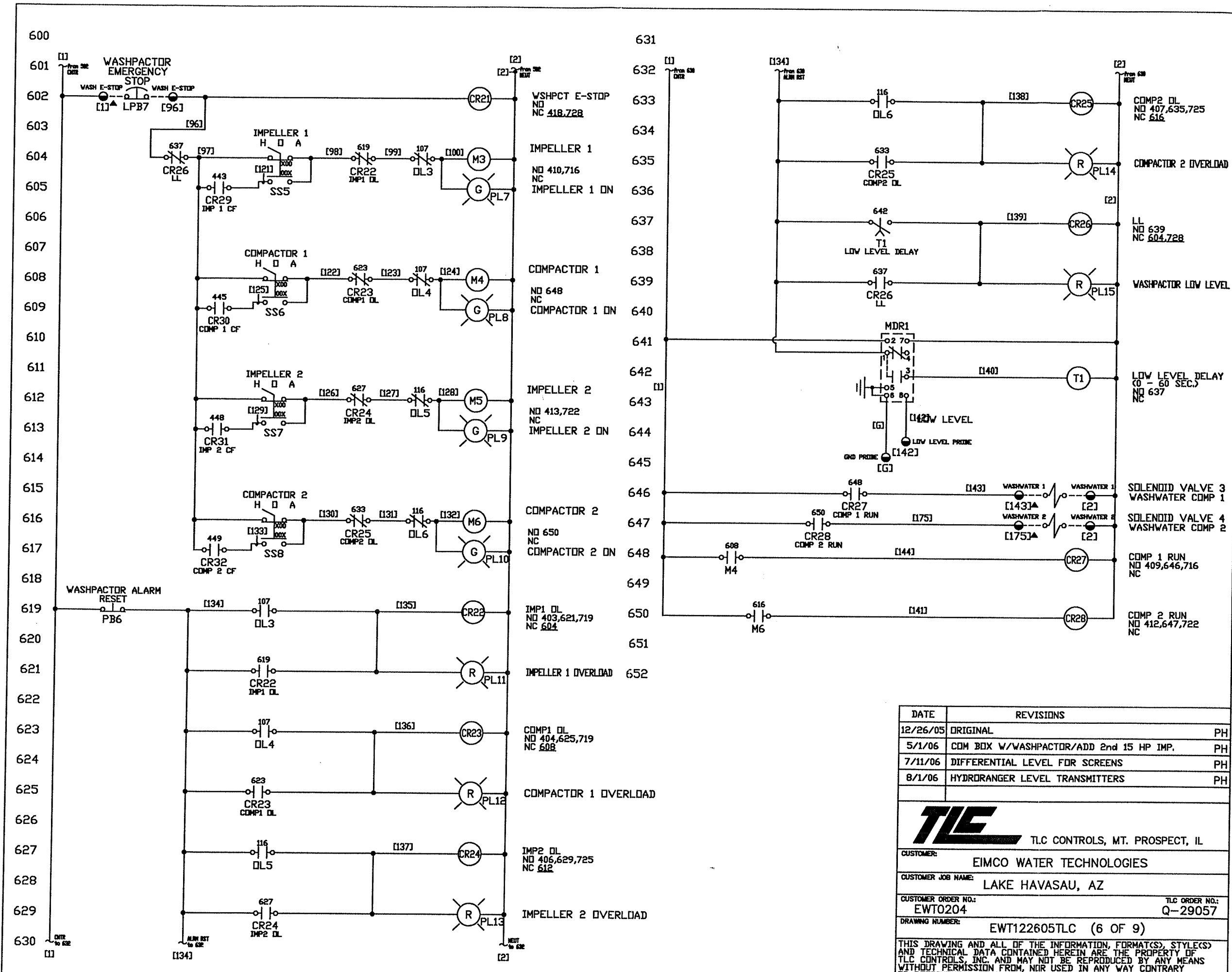
CUSTOMER: EIMCO WATER TECHNOLOGIES

CUSTOMER JOB NAME: LAKE HAVASAU, AZ

CUSTOMER ORDER NO.: EWT0204 TLC ORDER NO.: Q-29057

DRAWING NUMBER: EWT122605TLC (5 OF 9)

THIS DRAWING AND ALL OF THE INFORMATION, FORMAT(S), STYLE(S) AND TECHNICAL DATA CONTAINED HEREIN ARE THE PROPERTY OF TLC CONTROLS, INC. AND MAY NOT BE REPRODUCED BY ANY MEANS WITHOUT PERMISSION FROM, NOR USED IN ANY WAY CONTRARY OR DETRIMENTAL TO THE BEST INTEREST OF TLC CONTROLS, INC.



DATE	REVISIONS	
12/26/05	ORIGINAL	PH
5/1/06	COM BOX W/WASHPACTOR/ADD 2nd 15 HP IMP.	PH
7/11/06	DIFFERENTIAL LEVEL FOR SCREENS	PH
8/1/06	HYDRORANGER LEVEL TRANSMITTERS	PH



TLC CONTROLS, MT. PROSPECT, IL

CUSTOMER:		EIMCO WATER TECHNOLOGIES
CUSTOMER JOB NAME:		LAKE HAVASAU, AZ
CUSTOMER ORDER NO.:	EWT0204	TLC ORDER NO.:
		Q-29057
DRAWING NUMBER:		EWT122605TLC (6 OF 9)

THIS DRAWING AND ALL OF THE INFORMATION, FORMAT(S), STYLE(S) AND TECHNICAL DATA CONTAINED HEREIN ARE THE PROPERTY OF TLC CONTROLS, INC. AND MAY NOT BE REPRODUCED BY ANY MEANS WITHOUT PERMISSION FROM, NOR USED IN ANY WAY CONTRARY OR DETRIMENTAL TO THE BEST INTEREST OF TLC CONTROLS, INC.

TERMINALS

WIRENO	INST	REF
[1]	E-STOP 1	202
[7]	E-STOP 1	202
[5]	STOP/START 1	202
[6]	START 1	200
[9]	STOP 1	202
[11]	E-STOP 2	213
[15]	E-STOP 2	213
[13]	STOP/START 2	213
[14]	START 2	211
[17]	STOP 2	213
[2]	VALVE 1	209
[12]	VALVE 1	209
[2]	VALVE 2	220
[20]	VALVE 2	220
[2]	WASHWATER 1	646
[143]	WASHWATER 1	646
[2]	WASHWATER 2	647
[175]	WASHWATER 2	647
[1]	WASH E-STOP	602
[96]	WASH E-STOP	602
[64]	SCRN 1 E-STOP	709
[65]	SCRN 1 E-STOP	710
[62]	SCRN 1 FAIL	706
[63]	SCRN 1 FAIL	707
[66]	SCRN 1 IN DIFF	712
[67]	SCRN 1 IN DIFF	713
[60]	SCRN 1 RUN	702
[61]	SCRN 1 RUN	703
[72]	SCRN 2 E-STOP	709
[73]	SCRN 2 E-STOP	710
[70]	SCRN 2 FAIL	706
[71]	SCRN 2 FAIL	707
[74]	SCRN 2 IN DIFF	712
[75]	SCRN 2 IN DIFF	713
[68]	SCRN 2 RUN	702
[69]	SCRN 2 RUN	703
[164]	WASHPCT E-STOP	728
[165]	WASHPCT E-STOP	729
[148]	COMP 1 OVERLOAD	719
[149]	COMP 1 OVERLOAD	720
[146]	COMP 1 RUN	716
[147]	COMP 1 RUN	717
[156]	COMP 2 OVERLOAD	725
[157]	COMP 2 OVERLOAD	726
[154]	COMP 2 RUN	722
[155]	COMP 2 RUN	723
[152]	IMP 1 OVERLOAD	728
[153]	IMP 1 OVERLOAD	729
[150]	IMP 1 RUN	719
[151]	IMP 1 RUN	720
[160]	IMP 2 OVERLOAD	716
[161]	IMP 2 OVERLOAD	717
[158]	IMP 2 RUN	725
[159]	IMP 2 RUN	726
[162]	LOW LEVEL	722
[163]	LOW LEVEL	723

WIRENO	INST	REF
[52]	SPARE IN 1	324
[53]	SPARE IN 2	325
[81]	SPARE IN 3	129
[82]	SPARE IN 4	129
[83]	SPARE IN 5	129
[84]	SPARE IN 6	129
[85]	SPARE IN 7	129
[90]	SPARE OUT 1	451
[91]	SPARE OUT 2	452
[92]	SPARE OUT 3	454
[93]	SPARE OUT 4	455
[94]	SPARE OUT 5	457
[95]	SPARE OUT 6	458

WIRENO	INST	REF
[2]	FAN	128
[4]	FAN	128

WIRENO	INST	REF
[G]	GND PROBE	645
[142]	LOW LEVEL PROBE	644

WIRENO	INST	LOC	REF
[106+]	4-20 MA+ TRNSD1	LV FLD	519
[105-]	4-20 MA- TRNSD1	LV FLD	519
[S]	SHLD TRNSD1	LV FLD	519
[104+]	4-20 MA+ TRNSD2	LV FLD	519
[103-]	4-20 MA- TRNSD2	LV FLD	519
[S]	SHLD TRNSD2	LV FLD	519
[111+]	4-20 MA+ TRNSD3	LV FLD	550
[110-]	4-20 MA- TRNSD3	LV FLD	550
[S]	SHLD TRNSD3	LV FLD	550
[108+]	4-20 MA+ TRNSD4	LV FLD	550
[107-]	4-20 MA- TRNSD4	LV FLD	550
[S]	SHLD TRNSD4	LV FLD	550

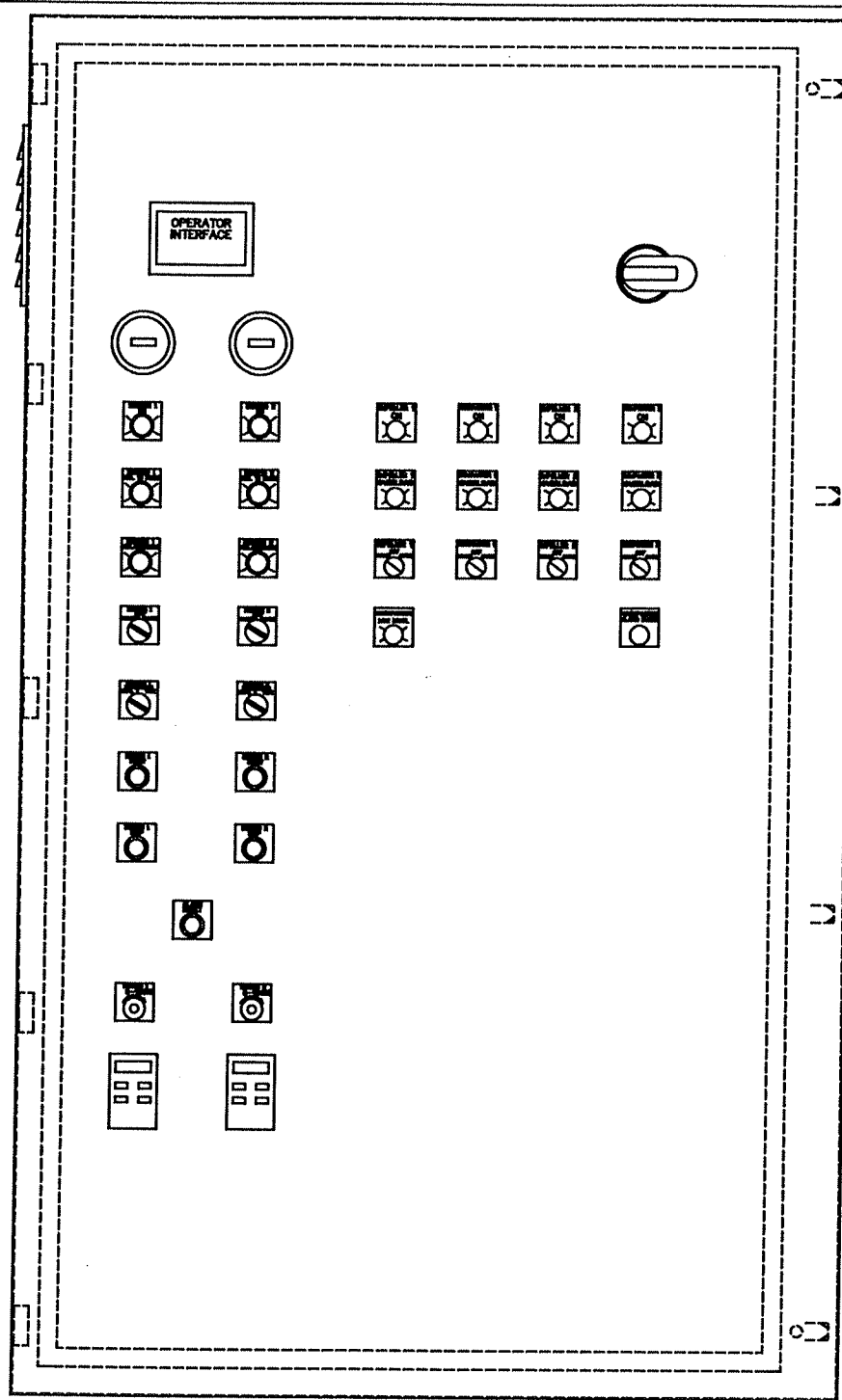
*

NOTE: LOW VOLTAGE WIRING MUST BE IN SEPERATE CONDUIT FROM ALL OTHER WIRES

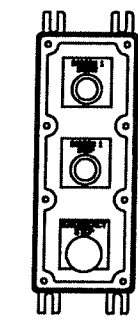
DATE	REVISIONS	
12/26/05	ORIGINAL	PH
5/1/06	COM BOX W/WASHPACTOR/ADD 2nd 15 HP IMP.	PH
7/11/06	DIFFERENTIAL LEVEL FOR SCREENS	PH
8/1/06	HYDRORANGER LEVEL TRANSMITTERS	PH

TLC		TLC CONTROLS, MT. PROSPECT, IL	
CUSTOMER: EIMCO WATER TECHNOLOGIES			
CUSTOMER JOB NAME: LAKE HAVASAU, AZ			
CUSTOMER ORDER NO.: EWT0204		TLC ORDER NO.: Q-29057	
DRAWING NUMBER: EWT122605TLC (8 OF 9)			

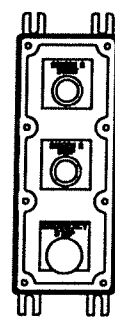
THIS DRAWING AND ALL OF THE INFORMATION, FORMAT(S), STYLE(S) AND TECHNICAL DATA CONTAINED HEREIN ARE THE PROPERTY OF TLC CONTROLS, INC. AND MAY NOT BE REPRODUCED BY ANY MEANS WITHOUT PERMISSION FROM, NOR USED IN ANY WAY CONTRARY OR DETRIMENTAL TO THE BEST INTEREST OF TLC CONTROLS, INC.



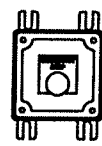
60 X 36 X 12 NEMA 12 STEEL CABINET
SCALE EXTRA 3/8"



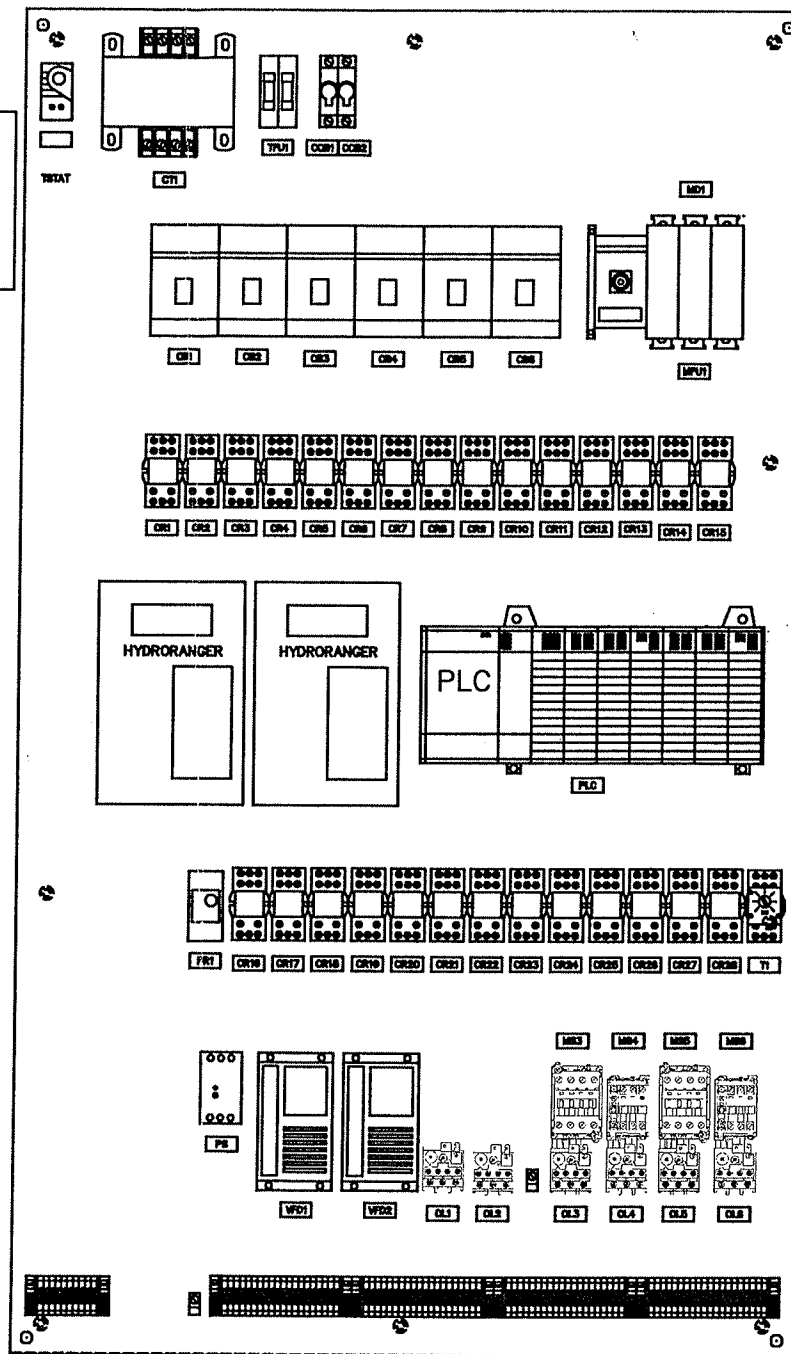
NEMA 7 LOCAL STATION



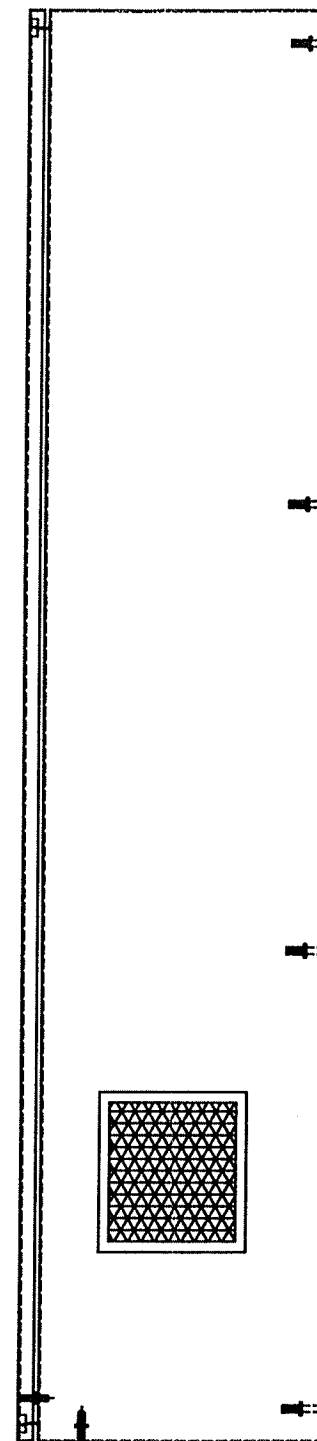
NEMA 7 LOCAL STATION



NEMA 7 LOCAL STATION



SUB PANEL



- CB CIRCUIT BREAKER
- MD MAIN DISCONNECT
- MFU MOTOR FUSE
- OL MOTOR OVERLOAD
- TFU TRANSFORMER FUSE
- M MOTO STARTER
- OL MOTOR OVERLOAD
- T TIMER
- CT CONTROL TRANSFORMER
- CCB CONTROL CIRCUIT BREAKER
- HCB HEATER CIRCUIT BREAKER
- CR CONTROL RELAY
- PB PUSH BUTTON
- PL PILOT LIGHT
- SS SELECTOR SWITCH
- E ELAPSED TIME METER
- LPB LOCAL PUSH BUTTON

○ TERMINAL ▲ REMOTE DEVICE [163] WIRE NUMBER

DATE	REVISIONS	
12/26/05	ORIGINAL	PH
5/1/06	CDM BOX W/WASHFACTOR/ADD 2nd 15 HP IMP.	PH
7/11/06	DIFFERENTIAL LEVEL FOR SCREENS	PH
8/1/06	HYDRORANGER LEVEL TRANSMITTERS	PH

TLC TLC CONTROLS, MT. PROSPECT, IL

CUSTOMER: EIMCO WATER TECHNOLOGIES

CUSTOMER JOB NAME: LAKE HAVASAU, AZ

CUSTOMER ORDER NO.: EWT0204 TLC ORDER NO.: Q-29057

DRAWING NUMBER: EWT122605TLC (9 OF 9)

THIS DRAWING AND ALL OF THE INFORMATION, FORMAT(S), STYLE(S) AND TECHNICAL DATA CONTAINED HEREIN ARE THE PROPERTY OF TLC CONTROLS, INC. AND MAY NOT BE REPRODUCED BY ANY MEANS WITHOUT PERMISSION FROM, NOR USED IN ANY WAY CONTRARY OR DETRIMENTAL TO THE BEST INTEREST OF TLC CONTROLS, INC.

RECOMMENDED SEQUENCE OF OPERATION FOR LAKE HAVASU FINE SCREEN AND WASHPACTOR CONTROL.

HAND POSITION - RESPECTIVE MOTOR RUNS CONTINUOUSLY BY ITS LOCAL AND CONTROL MOUNTED STOP START PUSH BUTTONS.

SCREEN SPEED CAN BE MANUALLY ADJUSTED.

OFF POSITION - RESPECTIVE MOTOR IS STOPPED.

AUTO POSITION - AUTOMATIC OPERATION OF SCREENS CAN BE SELECTED, EITHER DIFFERENTIAL OR TIME BY RESPECTIVE SCREEN OPERATION SELECTOR SWITCH.

DIFFERENTIAL LEVEL SEQUENCE IS SENSED BY LEVEL TRANSDUCERS MOUNTED IN CHANNEL UPSTREAM AND DOWNSTREAM OF SCREENS.

THE SCREEN WILL START ON SET LEVEL DIFFERENTIAL.

THE SPEED OF THE SCREEN ROTATION WILL BE PROPORTIONAL TO LEVEL IN CHANNEL.

TIME SEQUENCE IS BY INTERNAL TIMERS (IN PLC). WHEN SCREEN SITS IDLE FOR A SET PERIOD OF TIME, A CYCLE WILL BE STARTED AND THE SCREEN WILL RUN FOR AN ADJUSTABLE PERIOD OF TIME. THE SPEED OF SCREEN ROTATION WILL BE PRESET.

WHEN ANY OF THE SCREENS IS OPERATING, THE WASHPACTOR WILL START. BOTH IMPELLERS AND BOTH COMPACTORS START AND RESELECTIVE WASH WATER VALVE OPENS. THE WASHPACTOR WILL CONTINUE TO OPERATE WITH THE SCREEN. THE IMPELLERS ARE ALLOWED TO STOP AND START PERIODICALLY WITHIN THIS CYCLE. AFTER RUNNING FOR FIVE MINUTES (ADJST) THE IMPELLER WILL REST FOR ONE MINUTE (ADJST). WHEN THE SCREEN STOPS, THE WASHPACTOR WILL CONTINUE TO OPERATE FOR ADDITIONAL FIVE MINUTES (ADJST).
CYCLE ENDS.

THE WASHPACTOR MUST RECEIVE A PERMISSIVE SIGNAL FROM THE COURSE SCREENS TO OPERATE IN AUTO ONLY. THE WASHPACTOR IS EQUIPED WITH A LOW LEVEL SENSOR. WHEN THE WATER IN THE WASHPACTOR TANK DROPS AFTER A DELAY (ADJST) THE WASHPACTOR WILL BE SHUTDOWN.

IT IS RECOMMENDED TO STOP THE SCREENS WHEN THE WASHPACTOR IS FAILED OR NOT OPERATING.

EACH PIECE OF EQUIPMENT IS SUPPLIED WITH LOCAL EMERGENCY STOP PUSH BUTTON.

EACH MOTOR IS PROTECTED FROM THERMAL OVERLOAD.

NOTE: ALL LEVEL AND TIMER ADJUSTMENTS CAN BE MADE BY OPERATOR AT THE CONTROL PANEL THROUGH OPERATOR TOUCH SCREEN ON THE DOOR.

TLC CONTROLS INC.
553 CARBOY ROAD
MT. PROSPECT, IL. 60056

CUSTOMER: EIMCO WATER TECHNOLOGIES

8/2/06

Q-29057

P.O.# DS33813
LAKE HAVASAU, AZ -SCREEN

DRAWING: EWT122605TLC

TAG	DESCRIPTION	MANUFACTURER	CATALOG NUMBER
-	60 X 36 X 12 NEMA 12 VENTILATED CABINET	HAMMOND	EN4SD603612GY
-	CABINET CORROSION INHIBITOR	HOFFMAN	A-HCI10E
-	COOLING FAN	DAYTON	4WT42
TSTAT	THERMOSTAT	HAMMOND	SKT011419NO
-	LOUVER & VENT	HOFFMAN	A-VK66 & A-FLT66
MD	MAIN DISCONNECT	A.B.B.	OS100J03
-	MAIN DISCONNECT HANDLE	A.B.B.	OHB65J6 & OXP6X290
MFU1	MOTOR FUSE	LITTELFUSE	JTD 100
CB	CIRCUIT BREAKER	A.B.B.	T1N015TL, T1N025TL & T1N040TL
M	MOTOR STARTER	A.B.B.	A12-30-10-84 & A26-30-10-84
OL	OVERLOAD RELAY	A.B.B.	TA25DU 2.4, TA25DU 14 & TA25DU 25
VFD	VARIABLE FREQUENCY DRIVE	A.B.B.	ACS 143-2K7-3
CT1	CONTROL TRANSFORMER	MICRON	B500BTZ13JKF
TFU1	TRANSFORMER FUSE	LITTELFUSE	CCMR 2
CCB1	CONTROL CIRCUIT BREAKER	IDEC	NRAS1100-5A-AA
HCB1	HEATER CIRCUIT BREAKER	IDEC	NRAS1100-1A-AA
CR	3 POLE CONTROL RELAY	IDEC	RR3BUL-AC120V
PR	PROBE RELAY	CROUZET	PNR110A
T	TIMER	IDEC	RTE-B1AF20
E	ELAPSED TIME METER	4 th DIMENSION	106112
PL	PILOT LIGHT	IDEC	HW1P-1FQD-G & R
SS1 & 3	3 POSITION SELECTOR SWITCH	IDEC	HW1S-3TF20
SS2 & 4	2 POSITION SELECTOR SWITCH	IDEC	HW1S-2TF10
PB	PUSH BUTTON	IDEC	HWAB-M1F10 & M1F01-G, R & B
POT	SPEED POTENTIOMETER	CONTROL CONCEPTS	22POTO10K
PS	24V DC POWER SUPPLY	IDEC	PS5R-B24
-	OPERATOR INTERFACE	EZAUTOMATION	EZP-S6M-R
-	4 SLOT RACK	ALLEN-BRADLEY	1746-A4
-	SLC 5/05 PLC PROCESSOR WITH 16K MEMORY	ALLEN-BRADLEY	1747-L551
-	28K USER WORD EPROM	ALLEN-BRADLEY	1747-M11
-	5 AMP POWER SUPPLY	ALLEN-BRADLEY	1746-P2
-	2 IN/2 OUT ANALOG MODULE	ALLEN-BRADLEY	1746-FIO4I

-	16 POINT AC INPUT MODULE	ALLEN-BRADLEY	1746-IA16
-	16 POINT OUTPUT MODULE	ALLEN-BRADLEY	1746-OW16
-	LEVEL CONTROLLER	SIEMENS MILLTRONICS	HYDRO RANGER 200
-	ULTRASONIC LEVEL TRANSDUCER	SIEMENS MILLTRONICS	XPS-10
-	1 HOLE NEMA 7 LOCAL CONTROL	AKRON	CXI 373-N4-X1
-	3 HOLE NEMA 7 LOCAL CONTROL	AKRON	CXI 373-N4-X3
LPB5 & 6	NEMA 7 LOCAL EMERGENCY STOP PUSH BUTTON	AKRON	XPPPS2RE
LPB	NEMA 7 LOCAL PUSH BUTTON	AKRON	XPBSEBA & XPBSFBB

NOTE: ALL PARTS SUBJECT TO CHANGE DEPENDING UPON AVAILABILITY.

rah