

PLAN REQUIREMENTS  
FOR  
ATTACHED COVERED PATIO STRUCTURES



LAKE HAVASU CITY

“Build a good city by guiding the orderly physical development of Lake Havasu City in accordance with the General Plan and the community development codes and policies adopted by the City Council”

# ATTACHED COVERED PATIO STRUCTURES CHECKLIST

ALL PLANS SHALL BE DRAWN TO SCALE

## SITE PLAN

- Show distance to property lines
- Distance from main structure (applies to detached structures)
- Show location of existing septic tank and leach lines
- Approval by Mohave County Health Department

## FOUNDATION PLAN

- Plan view of foundation and slab
- Footing detail

## FLOOR PLAN

- Provide dimensions and layout of columns/posts
- Show existing window and door sizes in existing wall
- Indicate Square footage

## ROOF FRAMING PLAN

- Truss or rafter layout and spacing
- Indicate existing roof slope and roof span
- Beam and header sizes
- Truss calculations from the manufacturer – (if applicable)

## ELECTRICAL PLAN (can be shown on floor plan)

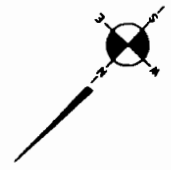
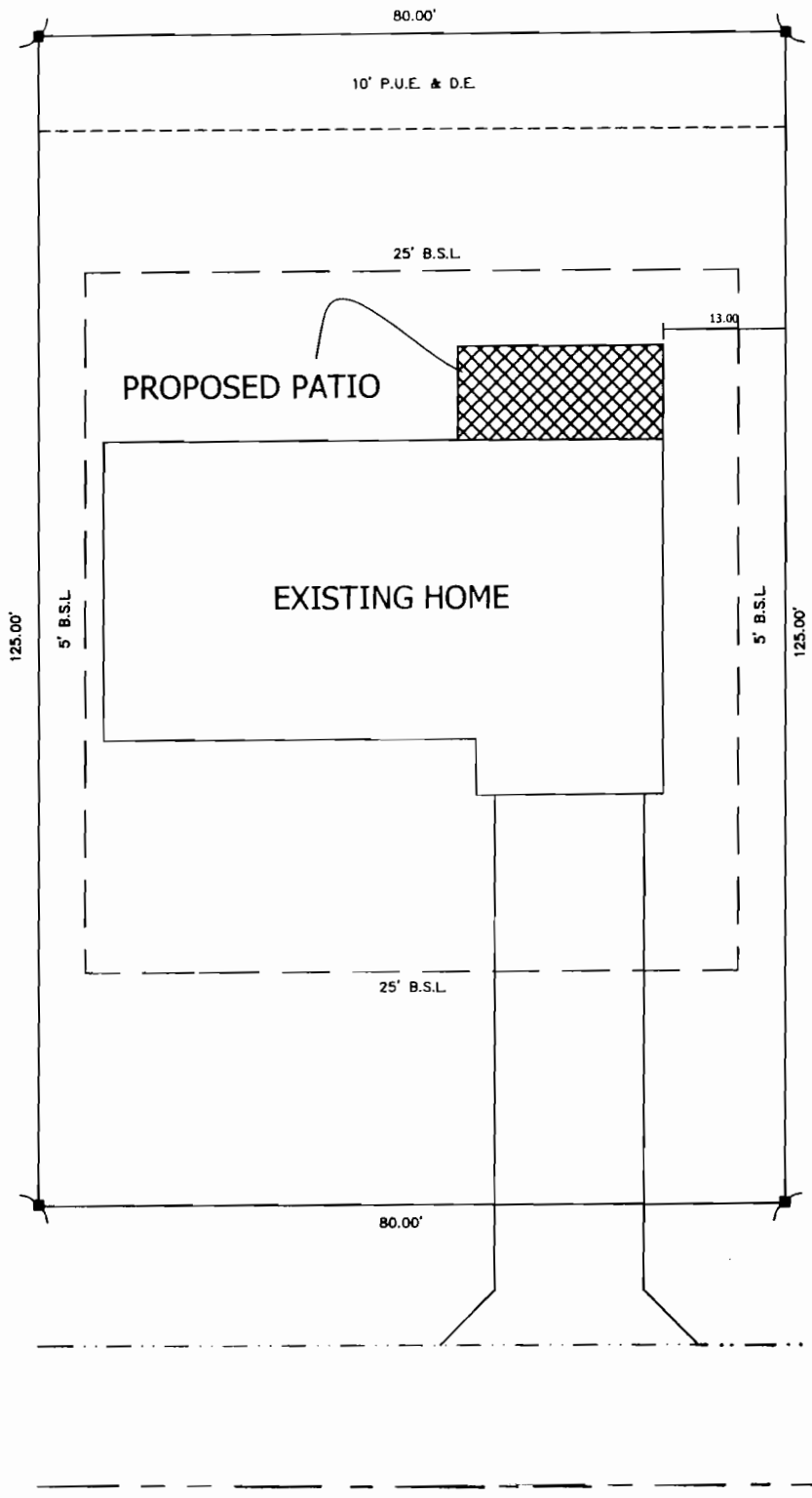
- Fans and lighting fixtures
- Switch locations
- Exterior outlets

## EXTERIOR VIEW ELEVATIONS

- Show a minimum of two views
- Window and door locations
- Height of structure above grade

## DETAILS

- Roof pitch
- Roof covering
- Rafter/Truss attachments
- Wall covering



SCALE: 1" = 20'

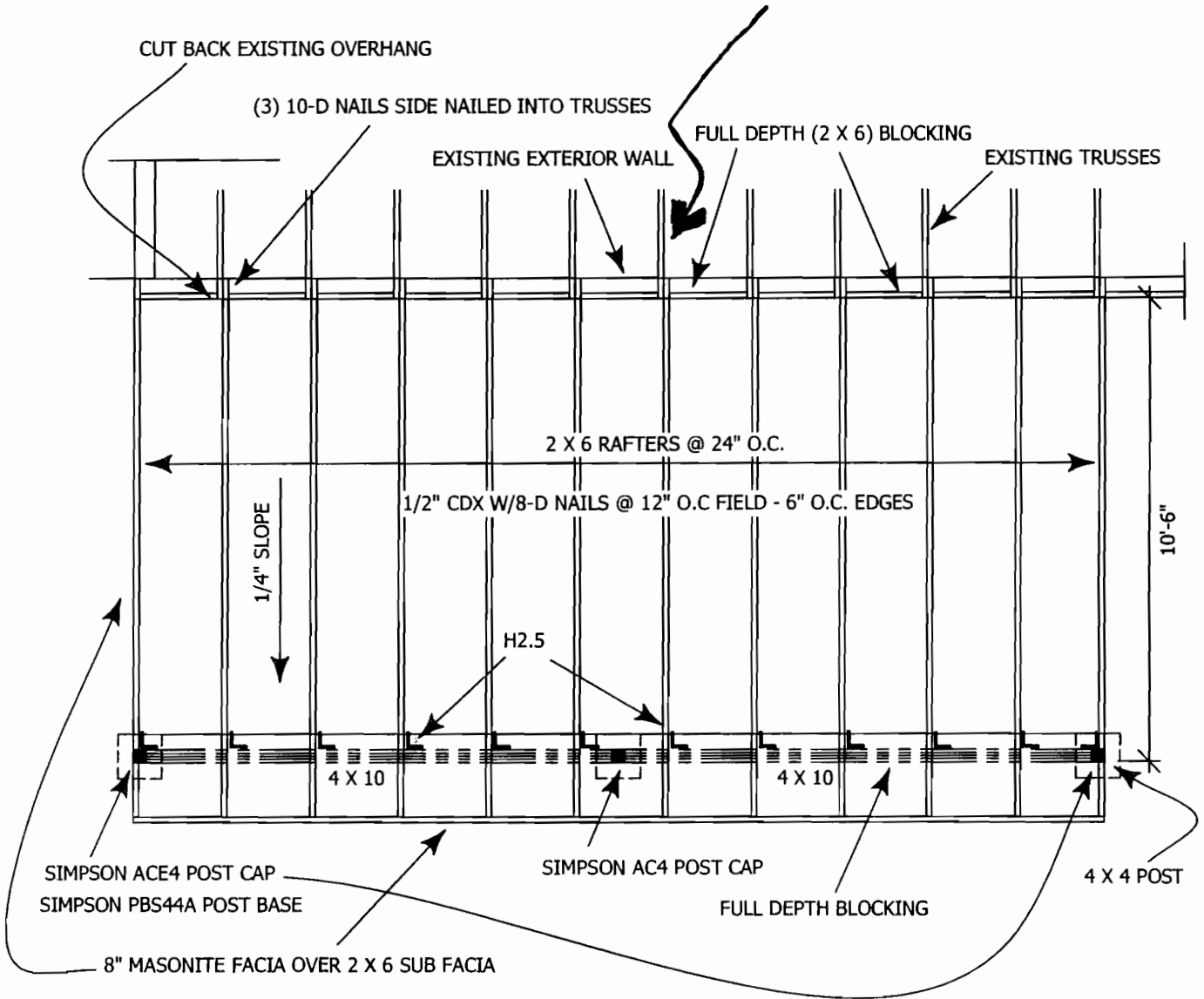
TRACT 2157  
 BLOCK 1  
 LOT 9

		SITE PLAN
	SCALE: 1" = 20'	SHEET 1

EXAMPLE

Show existing window/door openings  
in existing wall.

Specify existing roof span and  
roof slope.



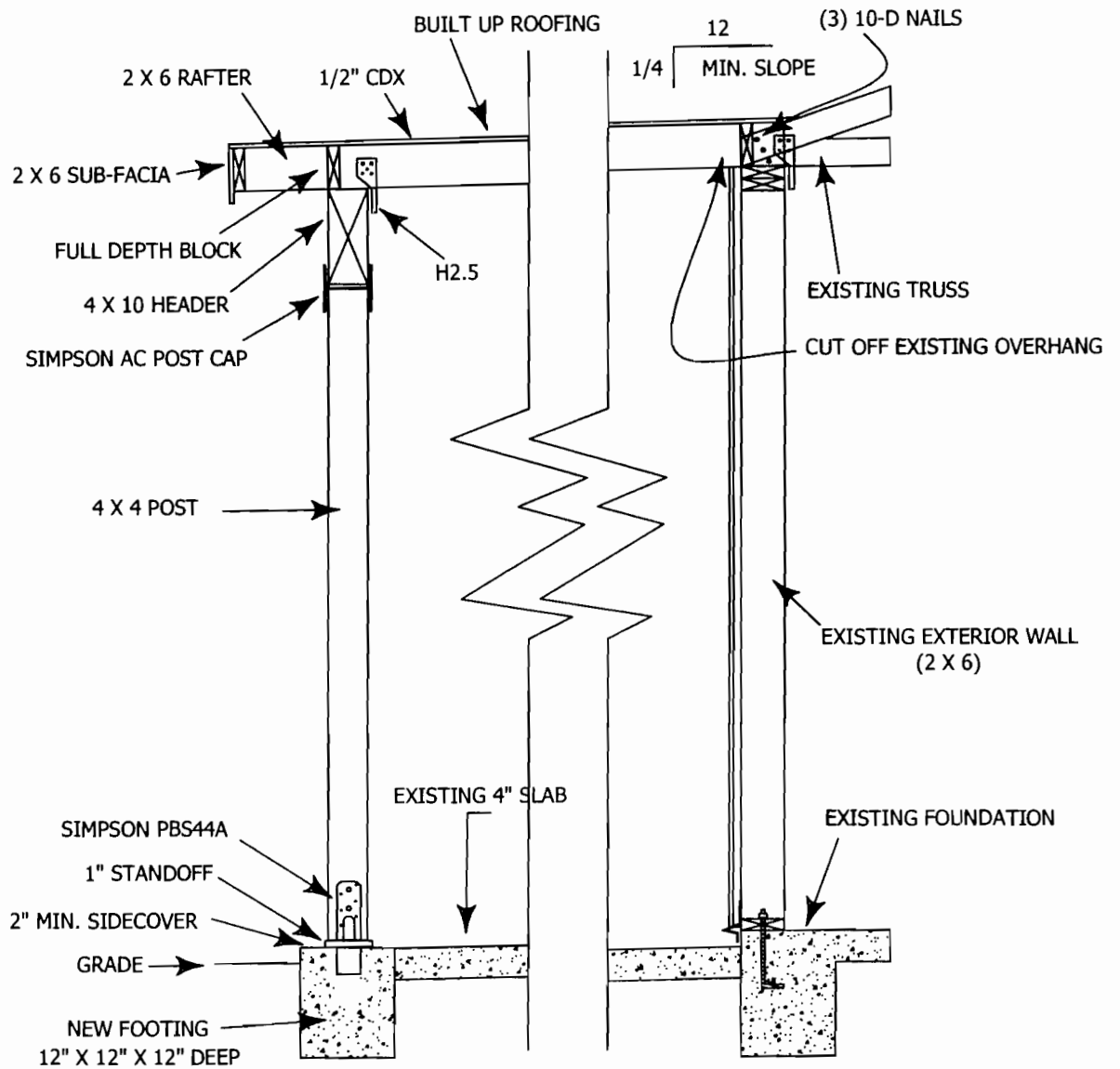
# FLOOR/ROOF PLAN

220 SQUARE FEET

FLOOR/ROOF PLAN

SCALE: 1/4" = 1'

SHEET 2



**PATIO DETAIL**

SCALE 1/2" = 1'

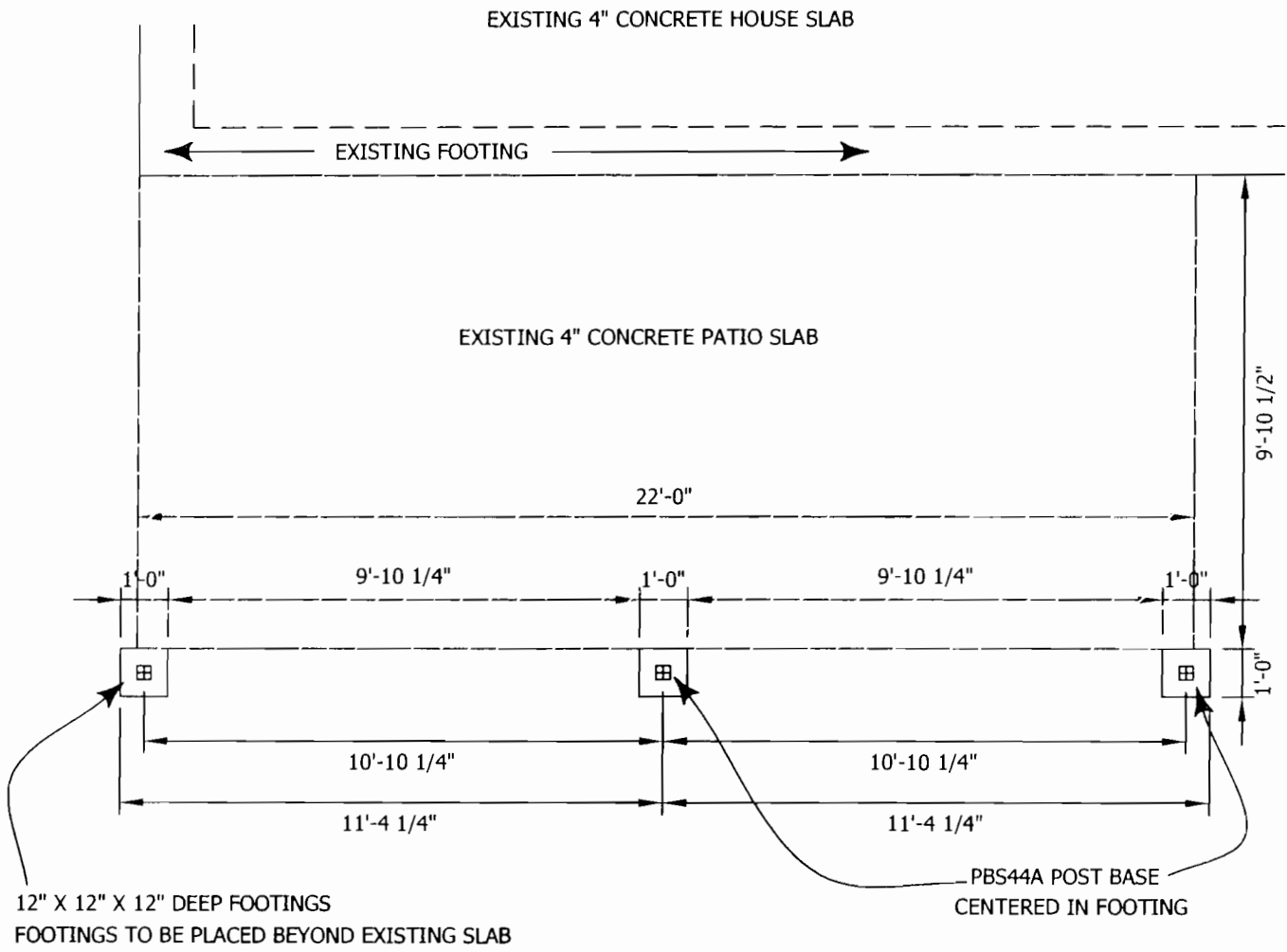
**CROSS SECTION**

220 SQUARE FEET

**CROSS SECTION**

SCALE: 1/2 = 1'

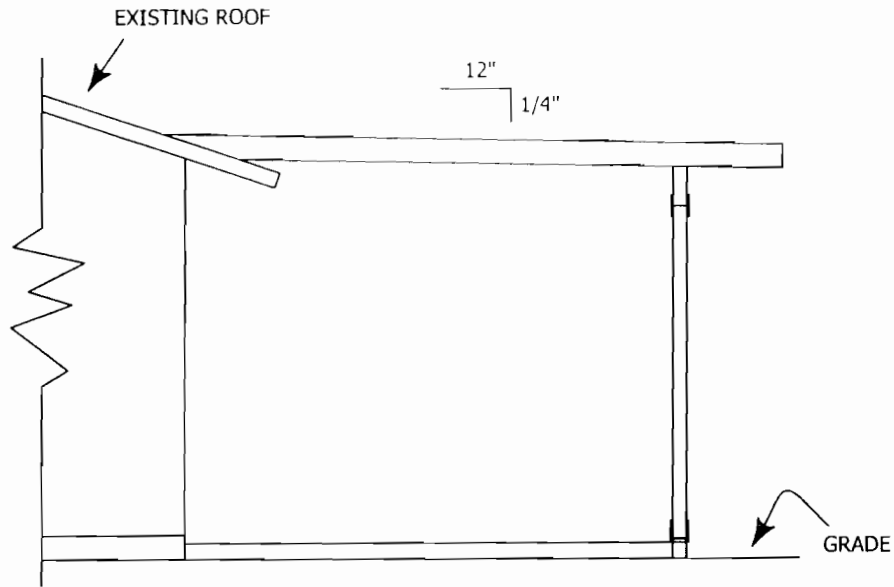
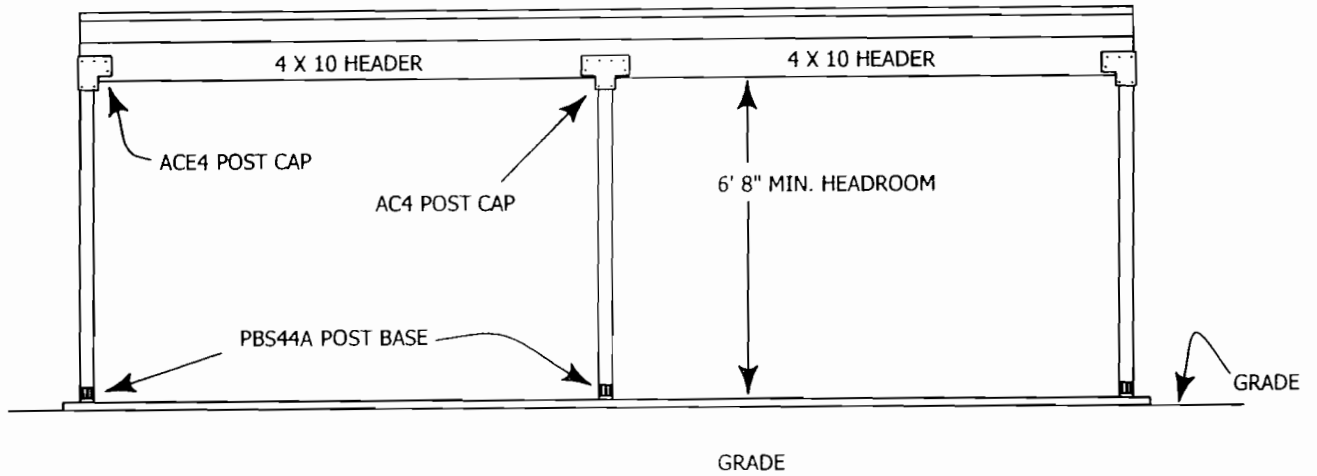
**SHEET 3**



# FOUNDATION PLAN

220 SQUARE FEET

		FOUNDATION PLAN
	SCALE: 1/4" = 1'	SHEET 4



# ELEVATIONS

220 SQUARE FEET

		ELEVATIONS
	SCALE: 1/4" = 1'	SHEET 5